



CLASSICAL RANGE

# BRA 350/400

## UNIVERSAL RADIAL CROSS-CUT SAWS

RIPPING  
MOULDING  
GROOVING  
MITRING  
TRENCHING  
CROSS CUTTING





## BRA 350/400

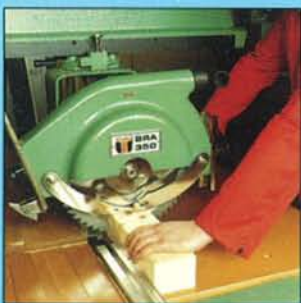
The BRA is more than just a cross cut. It is a universal machining centre capable of adding value to wood with ease and accuracy. It is very popular too – with thousands working every day in joiners' shops large and small. As a first machine it's an essential choice. And for a minimum outlay it's a sound investment.

Available in two different models, with a choice of blade size, the BRA combines solid construction and innovative design features ensuring accuracy and reliability.

- Rugged cast iron construction of arm and pillar ensure vibration-free cutting.
- Special angular contact roller bearings and silver steel rods ensure absolute accuracy of effortless carriage movement.



- Pneumatic head control is available for faster, smoother operation.



Straight cross cutting is easy and safe with under-saw guards.

Angle cutting – all models.



Mitre cross cutting – universal model only.

Compound angle cutting – universal model only.



Accurate ripping – universal model only.



# UNIVERSAL RADIAL CROSS-CUT SAWS



In its de luxe version the saw carriage of the BRA revolves through 270° and the blade cants to 45°. By using locators/stops or graduated scales with locking mechanism positioning for both the carriage and blade is positive and accurate.

The BRA – a cross cut that can give you compound angle cutting, ripping, mitre cross-cutting and grooving.

Optional pneumatically controlled head movement for ease of operation.

Change over to trenching head is quick and easy.



3m roller table extension with graduated fence and end stops. Left and right hand available. (Optional)



And with a horse shoe fence – just one of the many options available to enhance the performance, moulding too. Plus, of course, all the processes you would naturally expect.

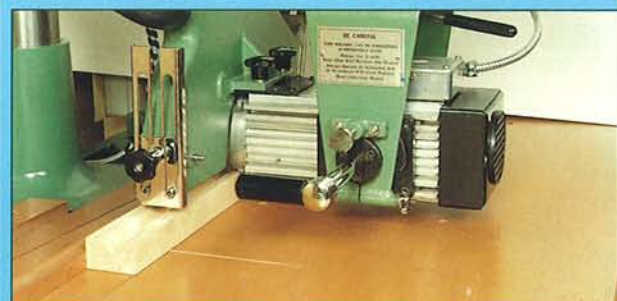
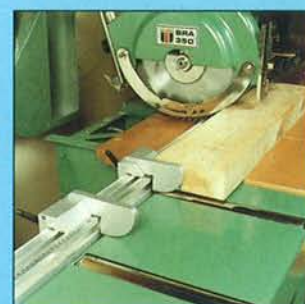
For nothing more than cross-cutting, trenching and angle cutting, the semi-universal offers a practical alternative but with the same robust construction and reliable, accurate performance.

Graduated fence bar and stops for accuracy and minimal waste. (Optional)



As with all Wadkin machines the BRA is supported by a team of dedicated development experts and service engineers. Plus the stability that comes with buying from the longest established woodworking machinery manufacturers in the UK.

The BRA – it's just one of the comprehensive classical range of machines from Wadkin.



Grooving – universal model only.

Moulding with the aid of a horse shoe fence. (Optional) – universal model only.



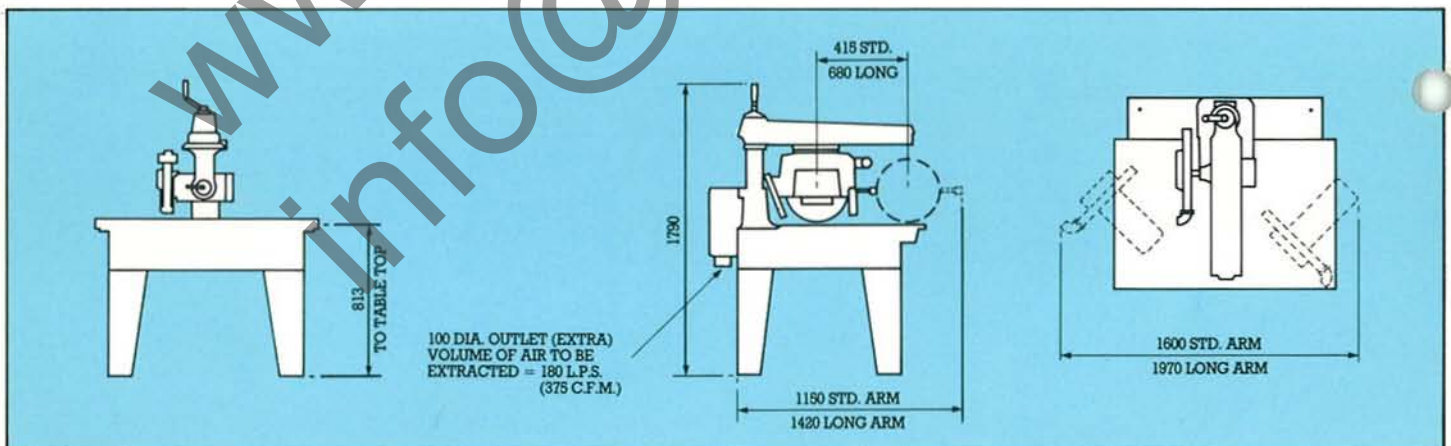
# BRA 350/400 UNIVERSAL RADIAL CROSS-CUT SAWS

## SPECIFICATION



DESCRIPTION	BRA 350 (14")	BRA 400 (16")
Universal Model	■	■
Semi-Universal Model	■	■
Max. Saw Projection 4 1/4"	■	
Max. Saw Projection 5 1/8"		■
Cross Cut Width Standard Arm at 90°		
415 × 108mm (16 3/8" × 4 1/4")	■	■
480 × 25mm (18 3/4" × 1")	■	■
Crosscut Width Standard Arm at 45°		
227 × 108mm (8 3/4" × 4 1/4")	■	■
288 × 25mm (11 1/4" × 1")	■	■
10 1/2 Longer Arm in Lieu of Standard	■	■
Height of Work Table 32" 813mm (30mm MDF – painted green and not varnished as shown)	■	■
Power of Motor 3 KW (4 HP)	■	4.5 KW Optional
Power of Motor 4.5 KW (6 HP)		■
Speed of Motor 50 HZ 3000 RPM	■	■
Speed of Motor 60 HZ 3600 RPM	■	■
Max. Width of Grooving Facility 2" W × 1" D	■	■
Max. Ripping Capacity 680mm 26 3/4"	■	
Max. Ripping Capacity 760mm 29 3/4"		■
Dia. of Saw Spindle 30mm	■	■
Max. Overall Height 1790mm 70 1/2"	■	■
Floor Space 1170 × 1600mm 46" × 63"	■	■
Nett Weight 210 KG (462 lb)	■	
Nett Weight 240 KG (528 lb)		■
Shipping Dimension (approx) 0.99 cu.m 35 cu.ft	■	■

As our policy is to constantly improve design the details given in the leaflet are not to be regarded as binding



Wadkin Durham  
Fence Houses  
Houghton-le-Spring  
Tyne & Wear  
England DH4 5RQ

Telephone: (091) 3852385  
Telex: 53441 (Burdrm G)  
Fax: (091) 3853311

A division of Wadkin plc  
Member of the Thomas Robinson Group plc

*We know Woodworking!*